



OPTION LIST standard optional

ARMRESTS

- Aisle Side Fold Down	•
- Wall Side Fold Down	•
- Centre Fold Down	•

COVERING

- Fabric (Fire retardant option available)	<input type="checkbox"/>
- Priority seating colour	•
- Leather	•
- Faux Leather	•
- Vinyl	•
- Canvas	•

FRAME

- Extra wide option	•
- Compact/Narrow option	•
- Forward folding frame	•

FOOTREST

- Fixed	•
- Flip-up	•

BACKREST

- Fixed	<input type="checkbox"/>
---------	--------------------------

GRAB HANDLE

- Side (aisle side)	•
---------------------	---

RESTRAINT SYSTEM

- 3 Point safety belt	<input type="checkbox"/>
- Child restraint	•

TABLE

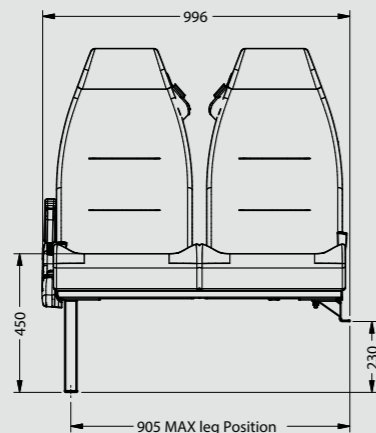
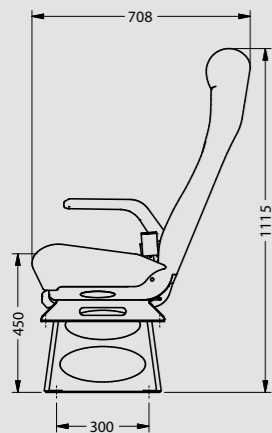
- Fold Down	•
-------------	---

ACCESSORIES

- Magazine Net	•
- Coat Hook	•
- Leather headrest inserts	•
- Brand/Company badging	•
- USB Charger port	•
- Double stitched leather	•
- Embroidered logo	•
- Reading light	•
- Stop button	•
- Customised frame colours	•

BENEFITS

- Superb comfort
- All fabric options available
- Ergonomically designed
- Easy to maintain
- Outstanding value for money



- Product weight: 25.5 Kg



29-41 Lysaght St Acacia Ridge QLD 4110
 PO Box 76 Archerfield QLD 4108
 Phone +07 3272 7550



info@stylerride.com.au
 www.stylerride.com.au

Orion

Ultimate school/day charter fixed seat



never stop exploring

Orion

- 1 Fixed upright position
- 2 Superior quality dual density foam for optimum comfort
- 3 One-piece or Individual cushion configuration
- 4 Seat belted as standard



- 5 Coat hook
- 6 Magazine nets
- 7 Choice of headrest inserts
- 8 Foldaway armrest



Fold down table

Magazine nets